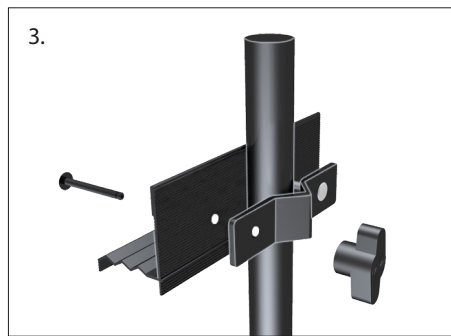


Studio Artist High Style Easel™ - 850 Series

1. Tilt easel forward, then insert top of support pole into bottom counterpart.
2. Use carriage bolts and wingnuts to attach Bottom Canvas Tray to easel brackets. Be sure to install the knobs facing outwards.
3. Slide Top Canvas Holder down center pole and tighten with carriage bolt and knob.
4. Screw bottom levelers onto easel base and adjust as needed.



ACCESSORIES



800WT
Work Table

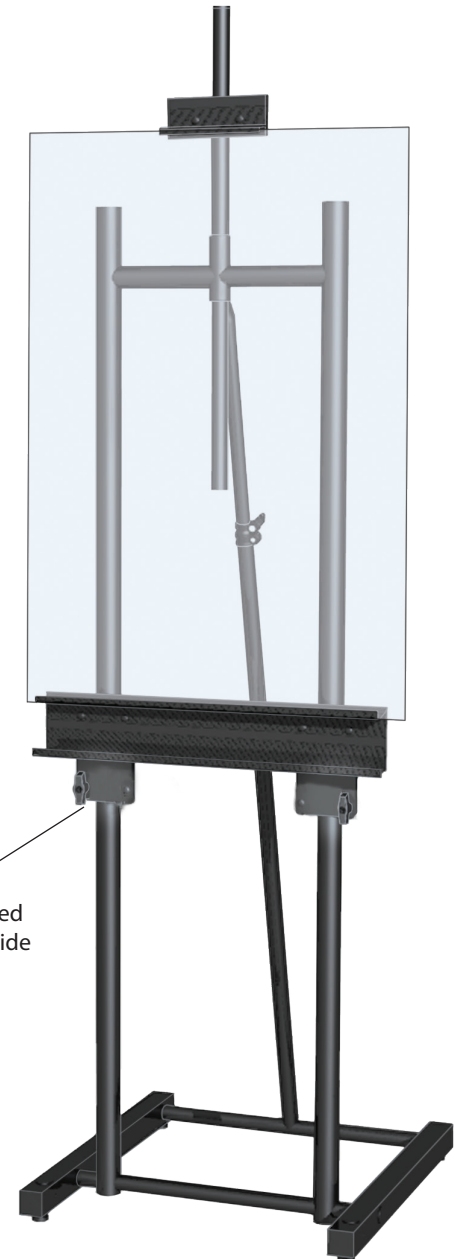


8004C
Casters



800L
Easel Light

Knobs get installed
towards the outside
of easel



850B shown